

LUX
Lock

SAFE • SECURE • COMFORTABLE



LEACH∞GARNER
A Berkshire Hathaway Company

Secure Precious Metal Clutch

LEACH & GARNER
A Berkshire Hathaway Company

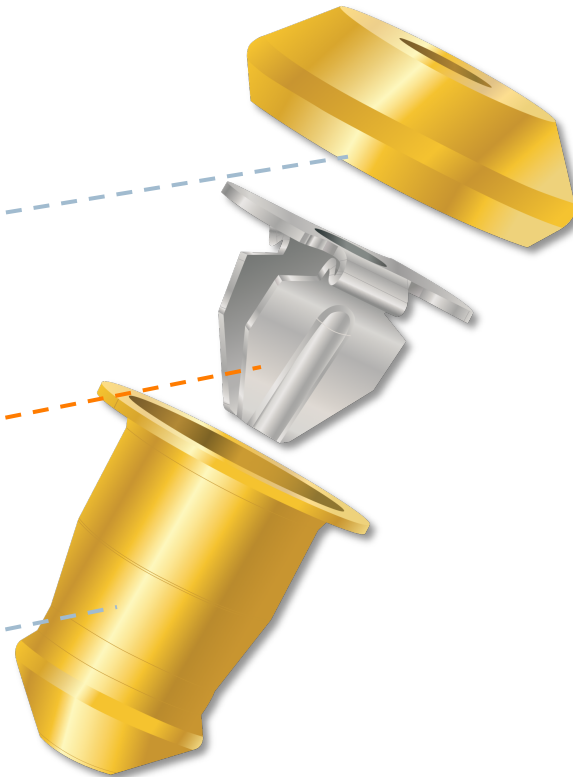
The LuxLock clutch is designed to provide the most secure 14K hold available on the market



14kt cap conceals clasp mechanism

Surgical stainless steel mechanism guarantees strength

Insert sits inside 14kt gold bullet clutch shell



Our patent-pending Precious Metal clutch is an **inexpensive, elegant and attractive solution** for a secure 14kt gold clutch to ensure consumers' jewelry remains safe and secure

Secure Precious Metal Post

LEACH & GARNER
A Berkshire Hathaway Company

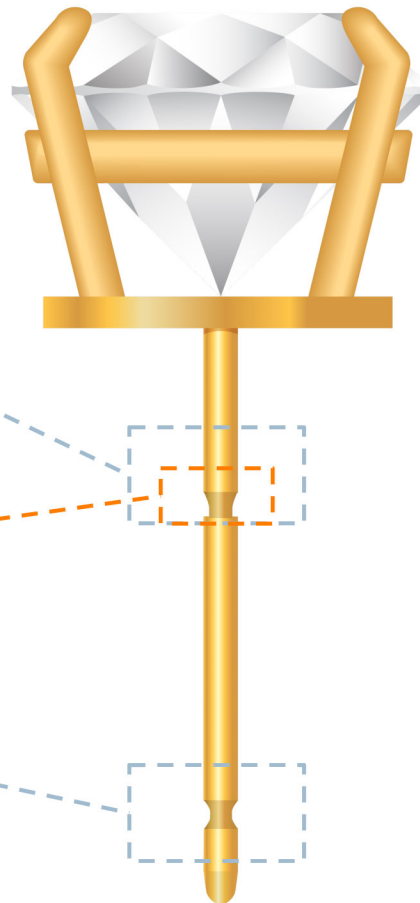
Our LuxLock Post complements our Precious Metal Clutch to create an even more secure earring hold



Primary safety notch provides a close & secure fit

Locking notch edge ensures a strong clutch grip

Secondary safety notch provides a backup clutch stop



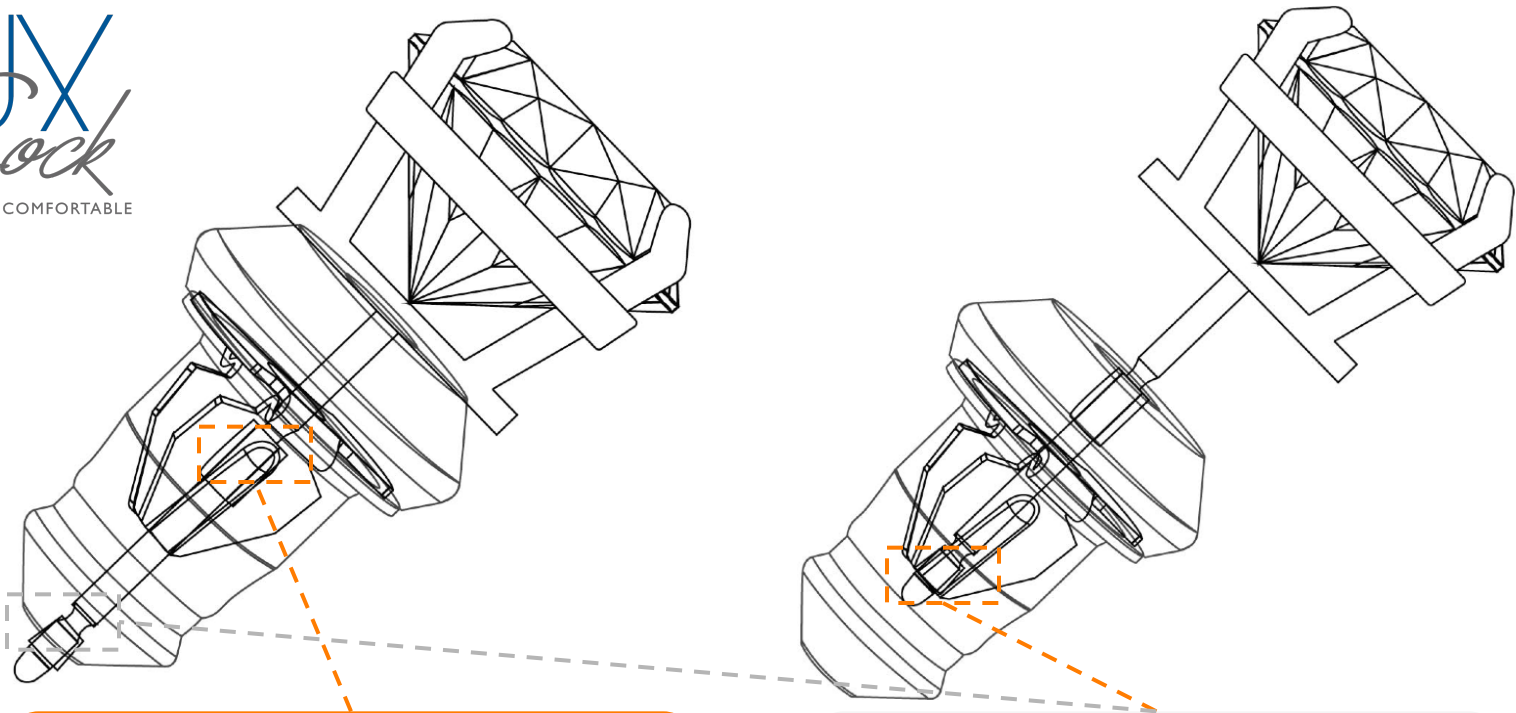
Our patent-pending double-locking Precious Metal post is secure and easy to handle.

LuxLock clutch also accommodates a *threaded* post.

The Secure LuxLock

LEACH & GARNER
A Berkshire Hathaway Company

When combined, our Precious Metal Clutch and Post create a secure lock on the earring

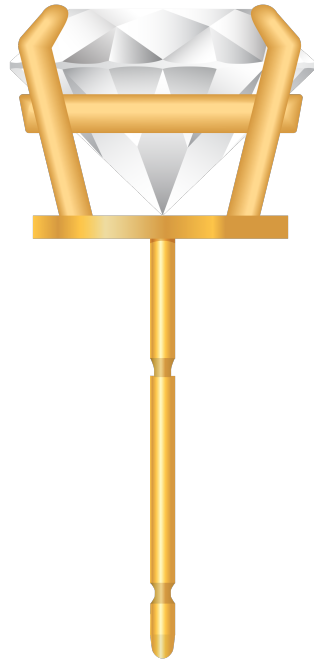
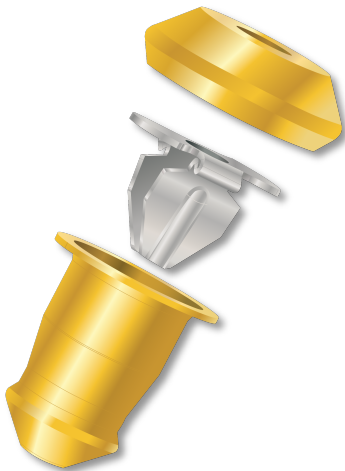


Primary post notch creates a secure lock against the earlobe

Secondary notch prevents earring from falling off if primary lock releases

Technical Details

The LuxLock system is built with advanced manufacturing techniques and exceeds industry quality standards



Clutch Details

Gold Weight	0.1 grams / pc
Insert Material	Surgical Stainless Steel 304
Gold Source	LeachGarner Sourced & Milled
Style number	064CFR94300075

Post Details

Gold Weight	0.52 grams / pc
Gold Source	LeachGarner Sourced & Milled
Style number	064PMN44100075

Gold sourced from recycled materials and bullion provided by partners using environmentally safe methods meeting international labor standards

The LuxLock System is more convenient for both customers and manufacturers than competing products



Consumer Benefits

Easy-to-handle unlike other screw-back systems that require effort to secure and remove the earring

Limited force required to insert earring post into clutch while still providing a secure hold

Available as a replacement piece from retailers if consumer misplaces clutch

Manufacturer Benefits

Removes TPI matching concerns so there is no need to standardize posts across product line

Force tested to ensure that clutches and posts can withstand consumer use

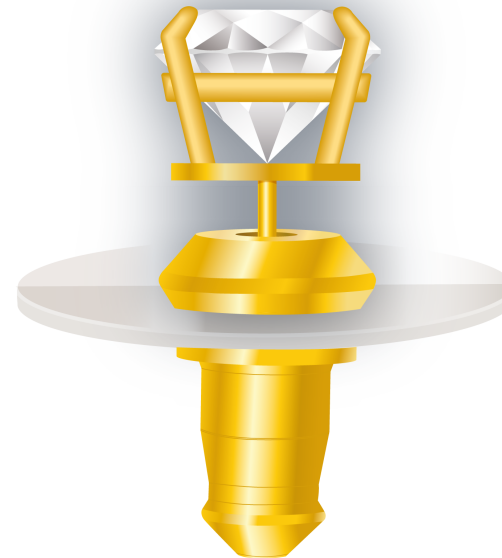
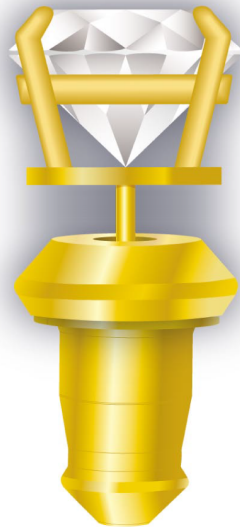
Available from LeachGarner's excellent and friendly customer service representatives

Consumers and manufacturers alike can both see benefit from the easy-to-use and secure LuxLock system

Additional Products

LEACH & GARNER
A Berkshire Hathaway Company

Our Precious Metal Clutch is available in multiple configurations and will offer replacement clutches to customers



Clutches are available both with-disc and no-disc configurations

The LuxLock will also be available as a replacement clutch so that customers can swap out existing posts / clutches to LuxLock products

Quality Manufacturing

LEACHGARNER
A Berkshire Hathaway Company

The LuxLock system is manufactured using the highest quality components that are held to rigorous standards



Materials

All LuxLock components are built from the highest quality LeachGarner metals and milled exclusively in our U.S. facilities



Assembly

Our state-of-the-art manufacturing process allows us to quickly respond to market needs



Compliance

Our products meet and exceed all U.S. and European regulations for all metals



Testing

Each product is stress-tested by our Advanced Force Gauge using proprietary software to ensure strict force tolerances



Customer Service

We not only deliver quality supplies, but solutions as a trusted partner that provides additional guidance and service