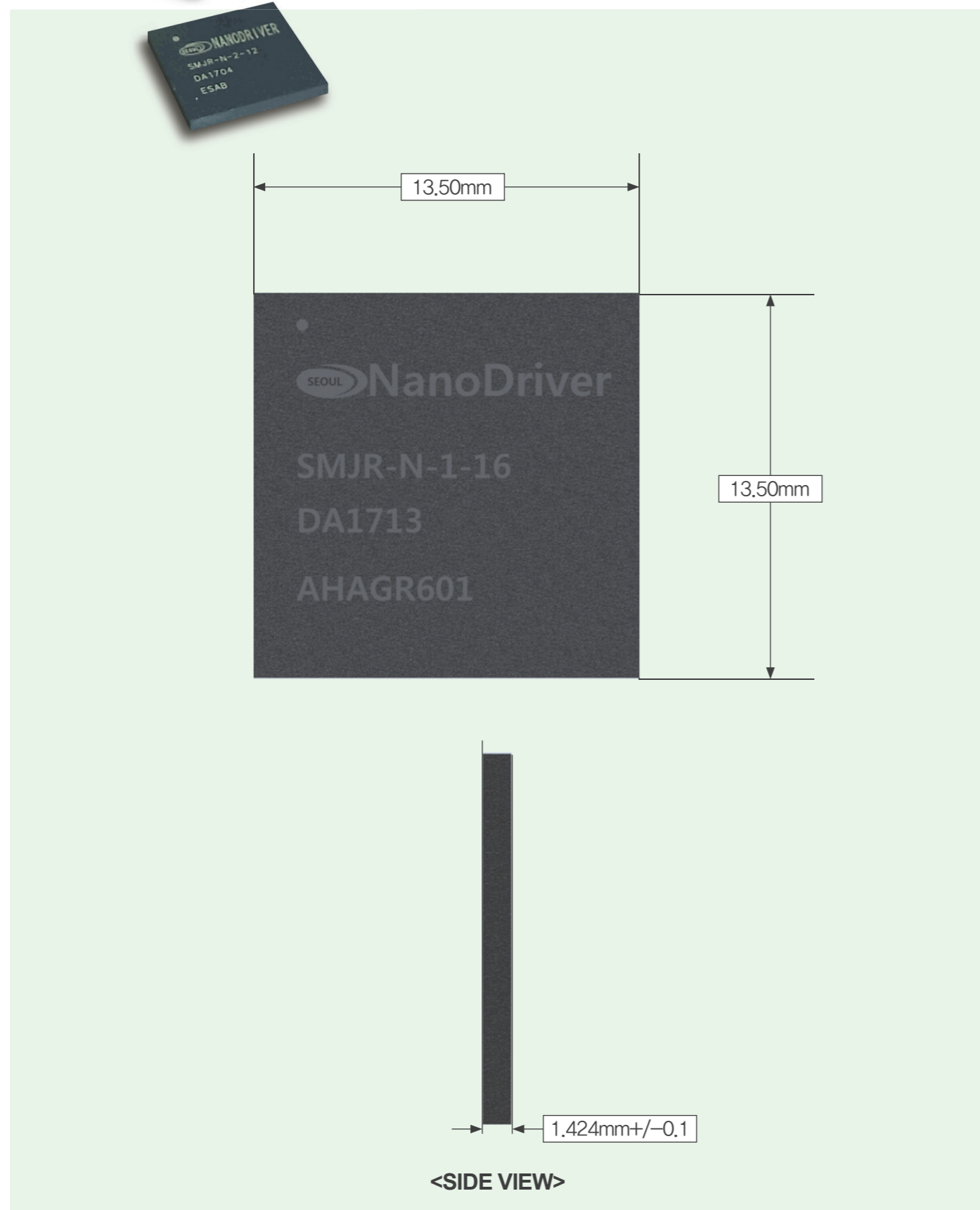
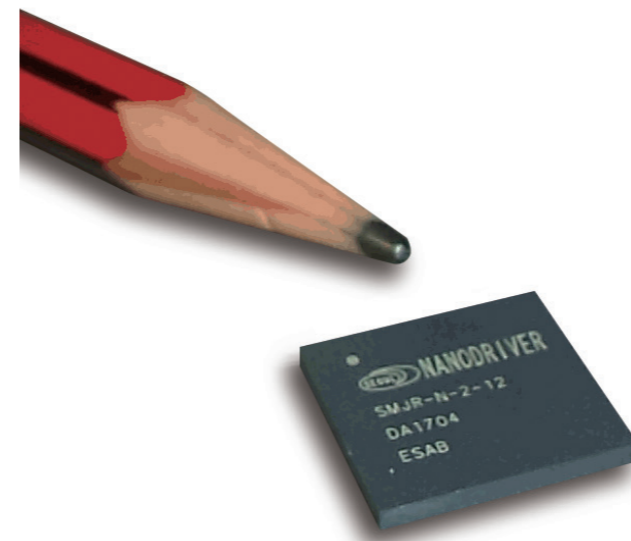


Outline Drawing

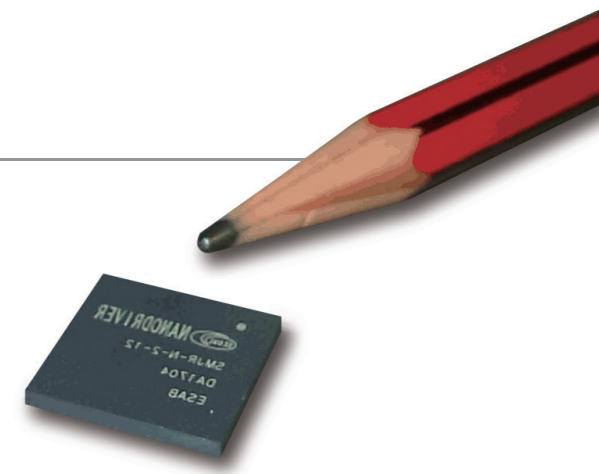


Need Something Tiny?
Introducing the world's smallest 24W LED driver



The **NanoDriver**, is designed for LED modules and custom residential LED drivers 8-24W. This device provides the smallest and lowest part count solution.

NanoDriver



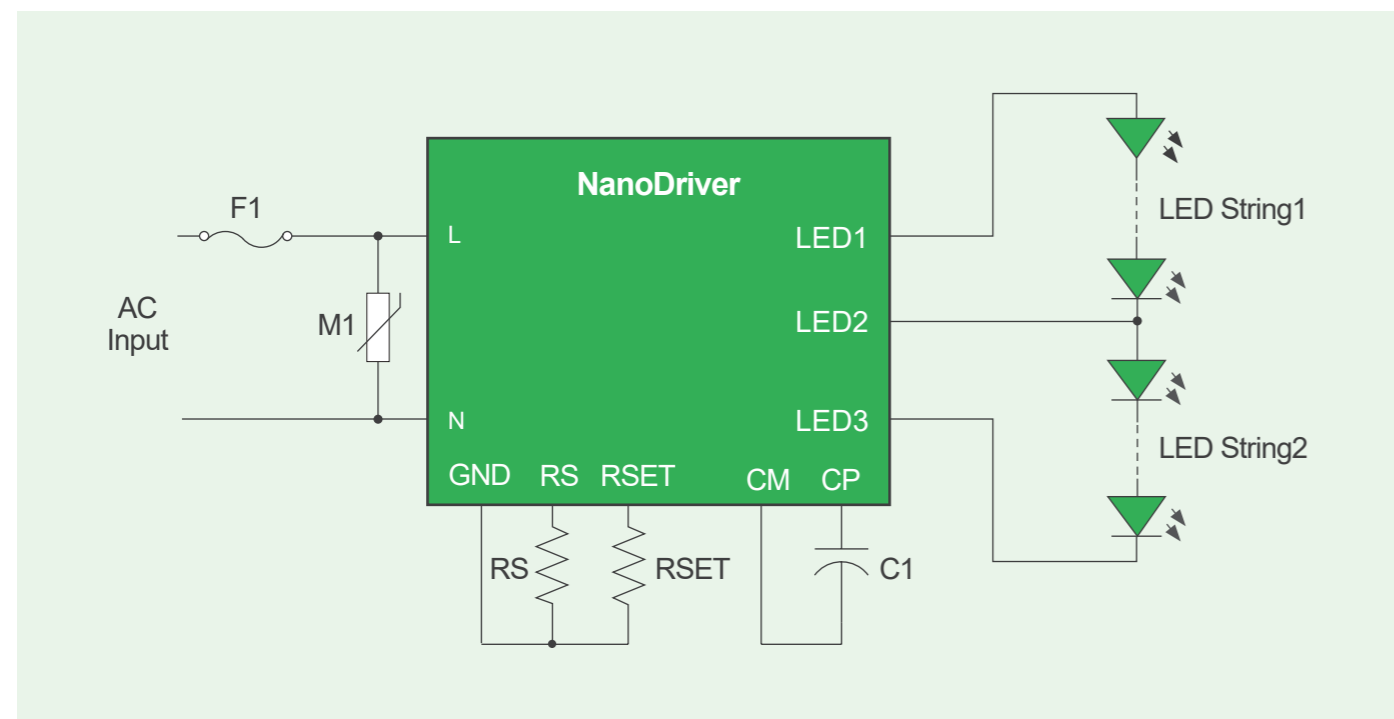
Description

The Seoul Semiconductor NanoDriver range of Phase cut drivers are ideal for downlight, spot, track light as well as wall sconce and flush mount fixtures. This incredibly small package has very few external components required. The NanoDriver has very low ripple current enabling easy Title 24 flicker compliance.

Features

- Extremely Small size
- Low Flicker
- Phase Cut or Analog Dimming
- Low Component Count
- Low inrush Current

Schematic



Product Selector

Output Power	Model Number	
	120V input	230V input
16W	SMJR-N-1-16	SMJR-N-2-16
24W	SMJR-N-1-24	SMJR-N-2-24

Specification

Output	
Operating Voltage(120V)	LED String1 = 35V, LED String2 = 62V
Operating Voltage(230V)	LED String 1 = 88V, LED String 2 =106V
Output Current Accuracy	±5%
Percent Flicker	< 10%
Startup Time	< 300ms

Input	
Input Voltage	120 or 230 Vac
Input Frequency	50 ~ 60Hz
Efficiency(Typ.)	85%
Power Factor(Typ.)	PF > 0.9
Inrush Current	< 300mA
Over Temperature Protection	LED current reduce to the half of total LED current > 160°, Recycle input power on to recover
Isolation	Non-isolated

Environmental	
Operating Temperature.	-40 to +70°C Ambient -20 to 85°C Case measured at Tc point
Storage Temperature	-40°C to +100°C
Humidity	20 ~ 95% RH